

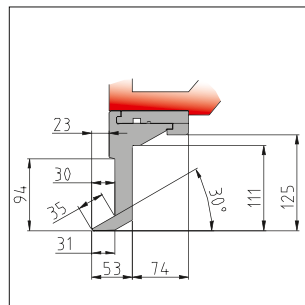


The CIDAN **FORMA** reflects decades of experience in both technology and design. FORMA from CIDAN is a "Cross-over" that handles both the requirements from small series production to proper subcontracting. Speedy production (low cost), Sweet to the operator (easy ergonomics), Strong construction (machines for life). Simplicity in programming and quick tool changing reduces setup times to a minimum. Dual drive of the upper beam together with a new locking principle, **CLS**, that holds the clamping beam, gives a high clamping pressure and a great folding result. Both rails and tools have quick change and crowning is easily adjusted. FORMA is equipped with Combi beam as standard and as option it can be provided with Multifold.

- Sturdy construction
- Dual motors for the folding beam
- Same opening height regardless of tooling (Combi beam)
- Dual motors for the upper beam
- Variety of options available for added flexibility
- Generous space around the tools for increased flexibility



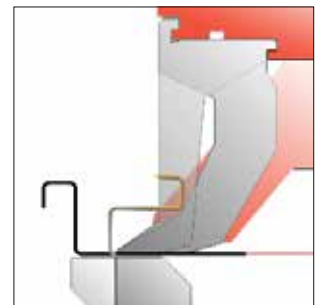
Automatic material sheet thickness adjustment, controlled by ProLink X



High divided tool 125 mm (4.9"), also available in 150 (5.9") and 200 mm (7.8") or C-shaped in 125 or 150 mm.



Corner tool is included in high divided tools. Collapsible corner tools are available as option.



With C-shaped tools you can fold deeper profiles than with standard tools or straight rail.

## STANDARD RAILS

Straight rail 30°, folding beam rail 15 mm (.591"), folding beam rail 30 mm (1.18")

Model	Folding length	Folding capacity			Opening height	Outer dimensions****	Weight	Motor	
		Steel* mm (ga)	Stainless steel** mm (ga)	Aluminium*** mm (")				Clamping beam kW (hp)	Folding beam kW (hp)
FORMA 30	3100 (122)	3.00 (11)	1.90 (14)	4.50 (0.177)	195 (7.7)	4465 x 2370 x 1980 (176x93x78)	4500 (9.920)	2 x 1.1(2 x 1.5)	2 x 1.5 (2 x 2)
FORMA 40	4100 (161)	2.50 (12)	1.60 (16)	3.70 (0.146)	195 (7.7)	5465 x 2370 x 1980 (215x93x78)	5400 (11.905)	2 x 1.1(2 x 1.5)	2 x 1.5 (2 x 2)

Tensile strength \*at 400 N/mm<sup>2</sup>-58000 lbf/in<sup>2</sup> (psi) - \*\*at 600 N/mm<sup>2</sup>-87000 lbf/in<sup>2</sup> (psi) - \*\*\*at 200 N/mm<sup>2</sup>-29000 lbf/in<sup>2</sup> (psi) - \*\*\*\*With motorized back gauge AGS Base unit